

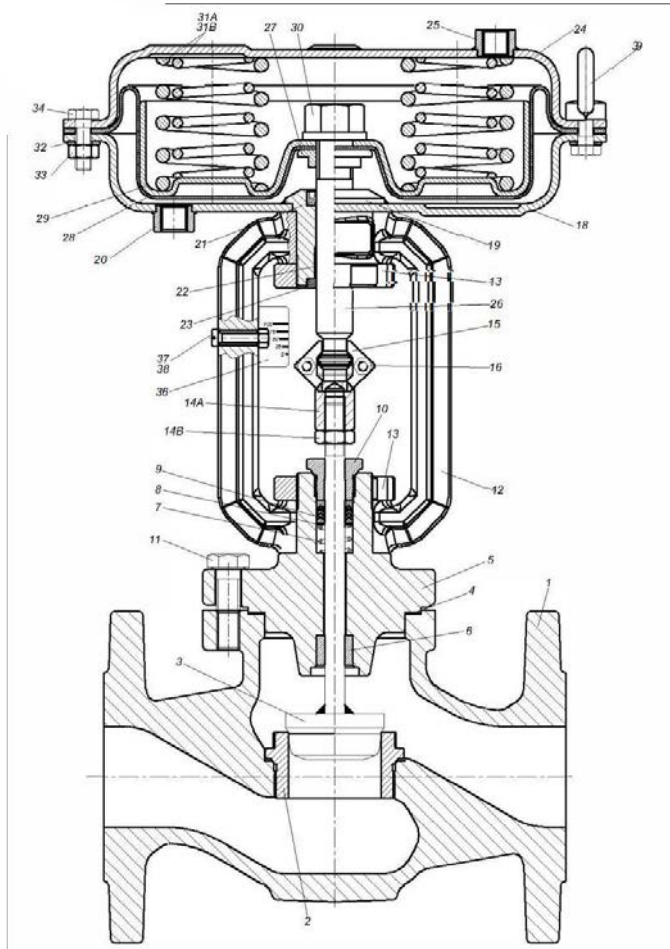
**CONTROL VALVE MODEL NST-OKV1
 DN 15 – DN 100**

- Modular design allows quick deliveries from local stock.
- Maintenance free, self-adjusting PTFE V-ring packing as standard.
- Straight-threaded seat design requires no gaskets, cage or other seals.
- Only four parts required to rebuild the valve: seat, plug, body gasket and packing.
- Integral attachment of digital/analog or pneumatic positioners eliminates tubing and damage to linkages.
- Actuator, together with positioner, can be rotated a complete 360°.
- Field-reversible, multi-spring diaphragm actuator allows changing of fail-safe without extra parts.
- Multi-spring actuator reduces height and weight of valve.
- Face-to-face dimensions according to ISA S75.03 allows interchangeability with other control valves

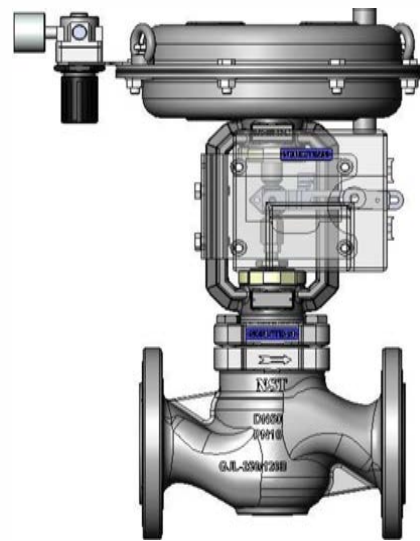
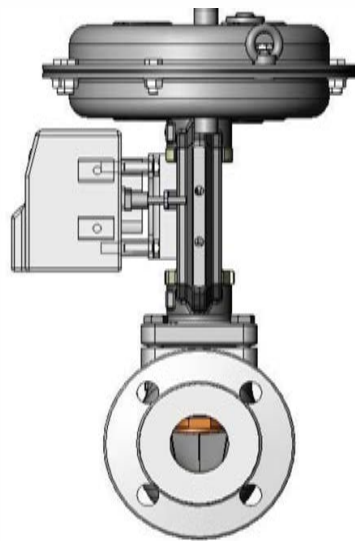


Valve size DN	15	20	25	32	40	50	65	80	100
Material	Cast iron (EN-GJL-250), Sph. Graphite iron (EN-GJS-400-18-LT) Cast steel (1.0619), Cast stainless steel (1.4408)								
Pressure rating PN	16 · 25 · 40								
Type of connection	All DIN versions								
Seat-plug seal	Metal seal · Soft seal								
Temperature ranges in °C									
Body without insulating section	-10 to +220								
Body with Insulating section and Bellows seal	EN-GJL-250 ... -10 to +300 1.0619 -10 to +400				EN-GJS-400-18-LT ... -10 to +350 1.4408 ... -50 to 450				
Leakage class according to IEC 60534-4	Metal seal Standard: IV			Soft seal: VI					
Seat and plug	EN-GJL-250, EN-GJS-400-18-LT, 1.0619 : 1.4006 / 1.4008 1.4408 : 1.4404 / 1.4409								

MATERIALS



Poz	Part	Material
1	Body	EN-GIL-250, EN-GJS-400-18-LT 1.0619, 1.4408
2	Valve seat	CrNi steel
3	Plug	CrNi steel
4	Body Gasket	Reinforced exfoliated graphite
5	Bonnet	EN-GJS-400-18-LT, 1.4408
6	Guide bushing	1.4104
7	Spring	1.4310
8	Packing washer	1.4404
9	V-ring packing	PTFE with carbon
10	Threaded bushing (packing nut)	1.4104
11	Body Bolt	8.8 - A4
12	Yoke	EN-GJS-400-18-LT, 1.4408
13	Ring nut	St-37 (S235JR)
14A	Stem connector nut	1.4305 (303)
14B	Lock Nut	1.4305 (303)
15	Stem connector clamps	1.4006
16	Stem connector clamps bolt	A4
18	Bottom diaphragm case	ERD 6224
19	Connection nipple	St-37 (S235JR)
20	Supply nipple	St-37 (S235JR)
21	Radial shaft seal	NBR
22	Dry bearing	Steel
23	Wiper ring	NBR
24	Top diaphragm case	ERD 6224
25	Supply nipple	St-37 (S235JR)
26	Actuator stem	1.4305 (303)
27	Hex nut	1.4305 (303)
28	Diaphragm	EPDM 70 SH A AAGYCZ
29	Diaphragm plate	ERD 6224
30	Collar nut	St-37 (S235JR)
31	Springs	VDSiCr
32	Washers	St-37 (S235JR)
33	Nuts	A2
34	Bolts	A2
36	Travel indicator scale	EN AW-5754 H16
37	Travel indicator scale screw	A2
38	Travel indicator scale nut	A2
39	Carrying ring	Steel



DIMENSIONS

Valve	DN	15	20	25	32	40	50	65	80	100
Length (L)		130	150	160	180	200	230	290	310	350
Height (H) With flanges With insulating section		255			282			308		398
		476			506			527		685
Weight without actuator (kg)		7.5	8	9	13	15	19	32	36	54
Pneumatic Actuators area cm²		235		345		680				
Diaphragm (ØD)		240		270		380				
Height (H1)		75		93		150				
Weight (kg)		4.8		7.5		21.5				

