

STEAM COLLECTION THERMOSTATS AND AIR VENTS HTK75

ENG

DESCRIPTION

The HTK75 series of balanced pressure thermostatic steam traps and vents are designed specifically for use on process equipment such as sterilizers and other autoclaves, kettles, food, chemical and laundry equipment.

Their small size makes them ideal especially when a full stainless steel steam trap is required.

MAIN FEATURES

Modulating exhaust.

Discharge condensate near the steam temperature. Thermostats for various subcooling (from 5°C to 30°C). Excellent air discharge.

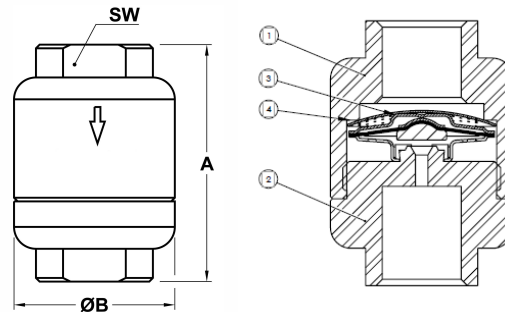
Works with moderate superheated steam.

Simple and compact design.



- OPTIONS: Welded body.
- USE: Saturated steam.
- AVAILABLE MODELS: HTK-75 – Stainless steel.
- MEASURES: 1/4" to 1".
- CONNECTIONS: ISO 7 Rp or NPT female thread.

INSTALLATION: Vertical or horizontal installation. See IIMI –MI - Installation and maintenance instructions.



LIMITING CONDITIONS OF THE BODY	
THREADED PN 40	RELATED
PRESSURE ALLOWED	TEMP.
34,4 bar	100 °C
30,8 bar	150 °C
28 bar	200 °C
26 bar	250 °C

PMO – Max. operating pressure: 22 bar;
TMO – Max. operating temperature: 250°C.

DIMENSIONS (mm)				
SIZE	A	B	SW	WEIGHT. (kg)
1/4"	65	44	27	0,5
3/8"	65	44	27	0,5
1/2"	65	44	27	0,45
3/4"	65	44	36	0,47
1"	65	44	40	0,4

MATERIALS		
POS. N°	DESIGNATION	MATERIAL
1	BODY	AISI 304 / 1.4301
2	COVERING	AISI 304 / 1.4301
3	* Thermostatic element	Stainless steel
4	* Filter screen	AISI 304 / 1.4301
5	* Gasket	Stainless steel / graphite

* Spare parts available

CAPACITY (kg/h)																
MODEL	SIZE	DIFFERENTIAL PRESSURE (bar)														
		0,2	0,3	0,5	1	1,5	2	3	4,5	6	8	10	13	15	20	22
HTK 75D	1/4" to 1"	40	50	70	95	120	135	180	215	250	290	320	360	370	405	415

The capacities indicated refer to condensation at 10 °C below the saturated steam temperature (standard thermostat type S). Thermostats for 5°C (type H) and 30°C (type L) are also available. The discharge capacities of cold condensate at 20 °C are two to three times greater.



