

VALVOLA A SFERA DUE VIE

TWO WAYS BALL VALVE

G20/350 AC



Valvola a sfera in tre pezzi, per intercettazione vapore e fluidi puliti molto caldi, a due vie - passaggio ridotto - attacchi filettati gas FF

Massima pressione di esercizio con motorizzazione base: 16 bar

Temperatura di lavoro: da -10°C a +190°C

Misure: da 1/2" a 4"

Esecuzione: corpo in acciaio al carbonio in tre pezzi

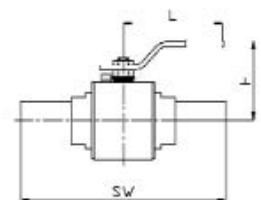
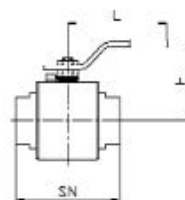
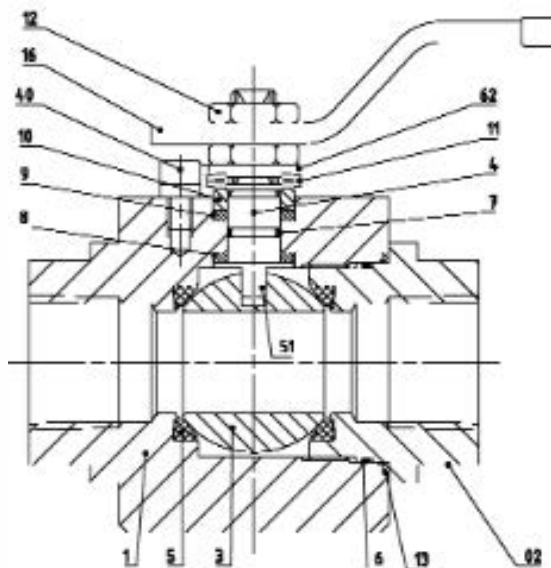
three parts made two-ways ball valve, for steam and very hot clean fluids interception - reduced flow - threaded FF gas connections

Max operating pres. with standard actuators: 16 bar

Working temperature: from -10°C to +190°C

Dimensions: from 1/2" to 4"

Manufacture: three part body made in carbon stainless steel ball.



PRESSURE RATING RANGE									
FB		RB		150	300	600	900	1500	2500
DN 15	1/2"	DN 20	3/4"						
DN 20	3/4"	DN 25	1"						
DN 25	1"	DN 32	1 1/8"						
DN 32	1 1/4"	DN 40	1 1/2"						
DN 40	1 1/2"	DN 50	2"						
DN 50	2"	DN 65	2 1/2"						
DN 65	2 1/2"	DN 80	3"						
DN 80	3"	DN 100	4"						
DN 100	4"	DN 150	6"						

