

VALVOLA A SFERA DUE VIE

TWO WAYS BALL VALVE

F20/VF



Valvola a farfalla wafer per flange UNI PN 10/16, per intercettazione liquidi puliti aggressivi.

Massima pressione di esercizio con motorizzazione base: 6 bar

Temperatura di lavoro: da -10°C a +60°C

Misure: da DN80 a DN150

Esecuzione: corpo a farfalla in PVC - o - ring centrale EPDM

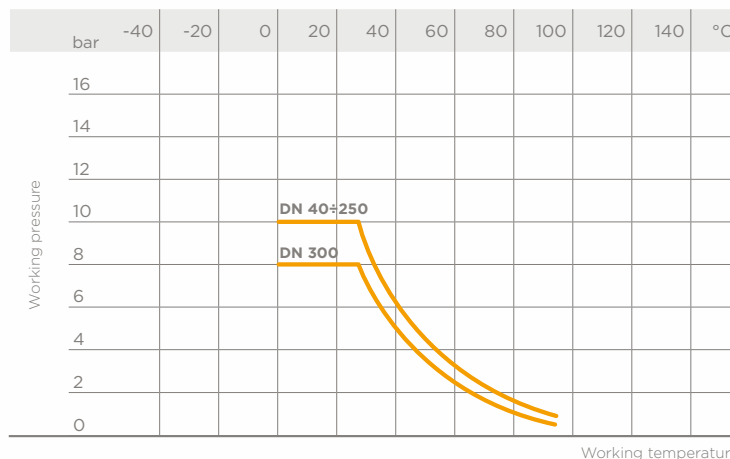
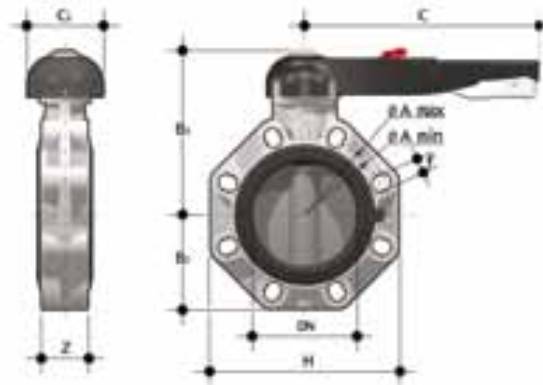
Wafer butterfly valve for corrosive clean fluids interception - flanged UNI PN 10/16 connections

Max operating pres. with standard actuator: 6 bar

Working temperature: from -10°C to 60°C

Dimension: from DN80 to DN150

Manufacture: PVC body and butterfly EPDM central - o - ring



DIMENSIONS

d - Size	DN	PN	A min	A max	B ₂	B ₃	C	C ₁	H	U	Z	g	EPDM Code	FPM Code
50 - 1" 1/2	40	10	99	109	60	137	175	100	132	4	33	800	FKOMLM050E	FKOMLM050F
63 - 2"	50	10	115	125.5	70	143	175	100	147	4	43	980	FKOMLM063E	FKOMLM063F
75 - 2" 1/2	65	10	128	144	80	164	175	110	165	4	46	1370	FKOMLM075E	FKOMLM075F
90 - 3"	80	10	145	160	93	178	175	100	185	8	49	1770	FKOMLM090E	FKOMLM090F
110 - 4"	100	10	165	190	107	192	272	110	211	8	56	2120	FKOMLM110E	FKOMLM110F
140 - 5"	125	10	204	215	120	212	330	110	240	8	64	3000	FKOMLM140E	FKOMLM140F
160 - 6"	150	10	230	242	134	225	330	110	268	8	70	3750	FKOMLM160E	FKOMLM160F
200*/225 - 8"	200	10	280	298	161	272	420	122	323	8	71	6650	FKOMLM225E	FKOMLM225F

Technical specifications

Construction	Bi-directional centric butterfly valve
Size range	DN 40÷300
Nominal pressure	Wafer version DN 40÷250: PN 10 with water at 20° C DN 300: PN 8 with water at 20° C Lug version DN 65÷200: PN 10 with water at 20° C DN 250÷300: PN 6 with water at 20° C
Temperature range	0 °C ÷ 100 °C
Coupling standards	Flanging system: EN ISO 15494, DIN 2501, ISO 7005-1, EN 1092-1, ASTM B16.5 cl.150, JIS B 2220
Reference standards	Construction criteria: EN ISO 16136, EN ISO 15494 Test methods and requirements: ISO 9393 Actuator couplings: ISO 5211
Valve material	Body: PP-GR Disk: PP-H Stem: STAINLESS steel AISI 420. On request STAINLESS steel AISI 316
Seal material	Liner: EPDM, FPM. On request NBR
Control options	Manual control (DN 40÷200); Gearbox, pneumatic actuator, electric actuator

