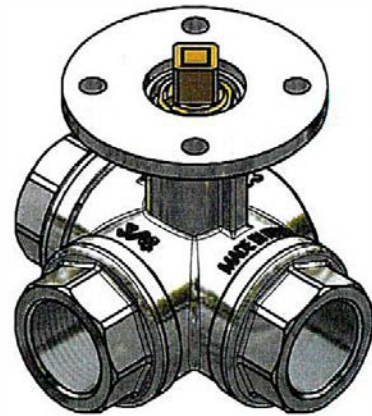


VALVOLA A SFERA DUE VIE

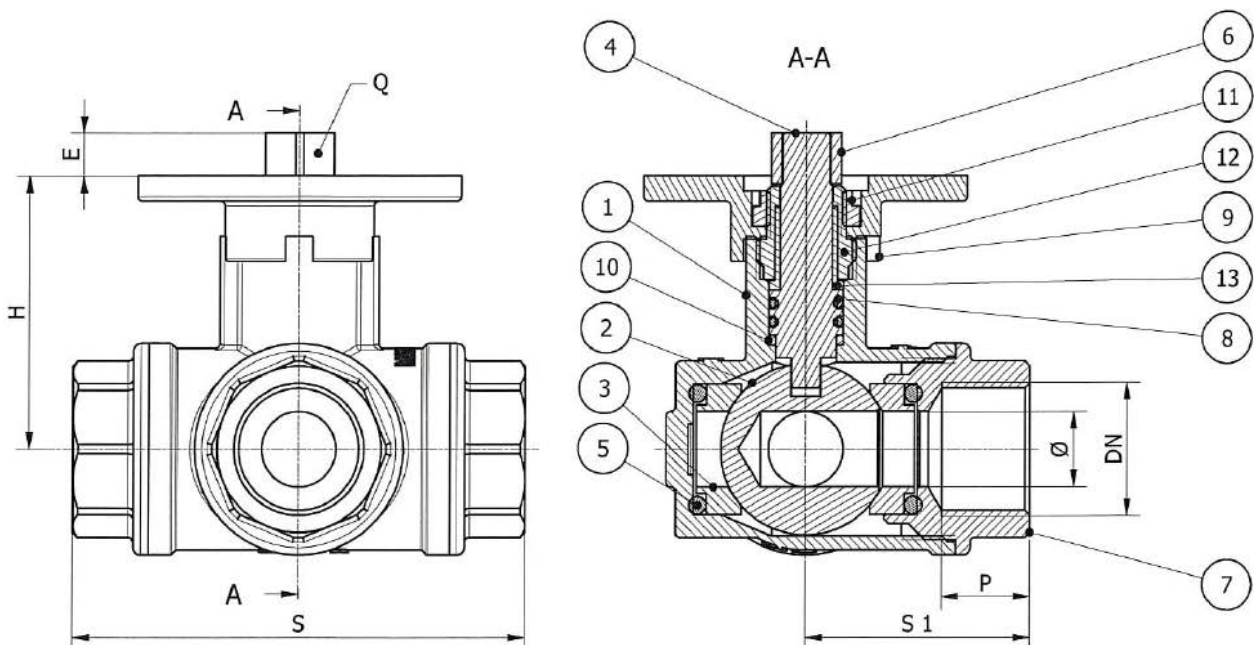
TWO WAYS BALL VALVE

G30_92B



Valvola a tre vie per intercettazione acqua pulita, fredda e calda e fluidi non aggressivi, a tre vie, passaggio ridotto, attacchi filettati gas FF. Foratura a L o a T. Temperature di utilizzo : MIN. -10° C / MAX. + 100°C Pressione massima : 40 bar Estremità filettate : ISO 228/1 Piastra portamotore : ISO 5211

Three-way valve for interception of clean, cold and hot water and fluids non aggressive, three-way, reduced bore, FF gas threaded connections. L or T drilling. Operating temperatures: MIN. -10 ° C / MAX. + 100 ° C Maximum pressure: 40 bar Threaded ends: ISO 228/1 Motor holder plate: ISO 5211



Ref.	Componente	Materiale	Q.tà
1	Corpo	EN12420-CW617N-nichelato	1
2	Sfera	EN12164-CW614N-cromata	1
3	Sede	P.T.F.E. F391	4
4	Perno	EN12164-CW614N	1
5	O-Ring	NBR	4
6	Aumentatore quadro	EN12164-CW614N	1
7	Manicotto	EN12420-CW617N-nichelato	3
8	O-Ring	NBR	2
9	Piastra portamotore	EN12420-CW617N-nichelata	1
10	Anello antigrippingio	P.T.F.E. F391	1
11	Dado blocca piastra	EN12164-CW614N	1
12	Ghiera	EN12164-CW614N	1
13	Boccola antigrippingio	P.T.F.E. F391	1

DN	1/4"	3/8"	1/2"	3/4"	1"	1"1/4	1"1/2	2"	2"1/2
S	76	76	82	90	106	120	142	165	194
S 1	38	38	41	45	53	60	71	82.5	97
Ø	10	10	10	15	20	25	32	40	50
P	18	18	17	18.5	20	23.5	28.5	32	35
H	50.5	50.5	50.5	53.5	63	67	73	80	90.5
E	8	8	8	8	10	10	12	12	12
Q	7/9/11	7/9/11	7/9/11	7/9/11	11/14	11/14	11/14	11/14	14
ISO	F03-05	F03-05	F03-05	F03-05	F05	F05	F05	F05	F05
*Nm	4	4	4	4	5	6	8	9	12
PN	40								

*:valori riscontrati in assenza di pressione

