

VALVOLA A SFERA DUE VIE

TWO WAYS BALL VALVE

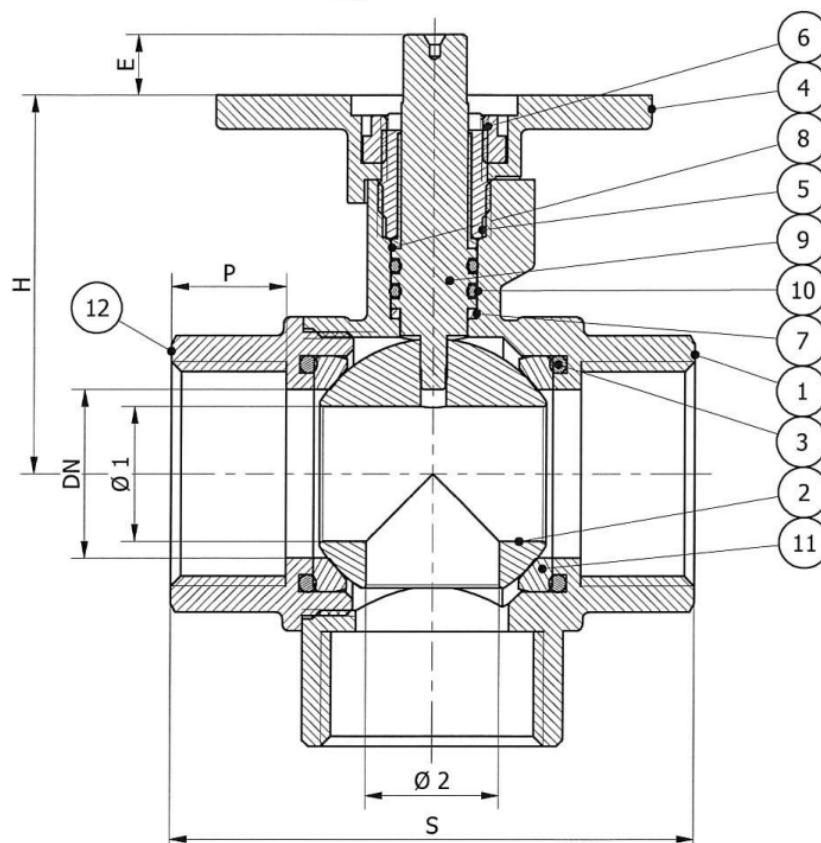
30/321



Valvola a sfera per intercettazione acqua pulita fredda e calda, per liquidi non aggressivi, a due vie – passaggio totale – attacchi filettati gas FF.

- Temperature di utilizzo : MIN. -10°C / MAX. + 100°C Pressione massima : 25 bar
Estremità filettate : ISO 228/1

*Ball valve for cold and hot clean water interception, for non aggressive liquids, two-way - full bore - FF gas threaded connections.
- Operating temperatures: MIN. -10 ° C / MAX. + 100 ° C Maximum pressure: 25 bar
Threaded ends: ISO 228/1*



| Ref. | Componente | Materiale | Q.tà |
|------|------------------------|--------------------------|------|
| 1 | Corpo | EN12420-CW617N-nichelato | 1 |
| 2 | Sfera | EN12164-CW614N-cromata | 1 |
| **3 | O-ring | NBR | 2 |
| 4 | Piastra portamotore | EN12420-CW617N-nichelata | 1 |
| 5 | Ghiera | EN12164-CW614N | 1 |
| 6 | Dado blocca piastra | EN12164-CW614N | 1 |
| 7 | Anello antigrippaggio | P.T.F.E. F391 | 1 |
| 8 | Boccola antigrippaggio | P.T.F.E. F391 | 1 |
| 9 | Perno | EN12164-CW614N | 1 |
| 10 | O-ring | NBR | 2 |
| 11 | Sede | P.T.F.E. | 2 |
| 12 | Manicotto | EN12420-CW617N-nichelato | 1 |

** : non presente nelle misure 1/4" - 3/8" - 1/2"

| DN | 1/4" | 3/8" | 1/2" | 3/4" | 1" | 1"1/4 | 1"1/2 | 2" | 3" |
|----|------|------|------|------|------|-------|-------|------|-----|
| L | 53 | 54.5 | 54.5 | 66.5 | 74.5 | 85 | 97 | 109 | 177 |
| Ø1 | 10 | 10 | 10 | 15 | 20 | 25 | 32 | 40 | 80 |
| Ø2 | 10 | 10 | 10 | 15 | 20 | 25 | 32 | 40 | 68 |
| P | 14 | 14 | 14 | 16 | 17 | 18 | 19 | 21 | 25 |
| H1 | 50 | 50 | 50 | 50 | 55 | 68 | 73 | 79 | 129 |
| H2 | 31 | 30.5 | 30.5 | 34.5 | 38 | 46 | 53 | 62.5 | 115 |
| M | 92 | 92 | 92 | 92 | 115 | 150 | 150 | 150 | 240 |
| PN | 25 | | | | | | | | |

